

REV	DESCRIPTION	BY	DATE
1	REVISION PER TAGMAKER COMMENTS	BJ	12/2/81
2	APPROVED BY ASS 7/3/81		

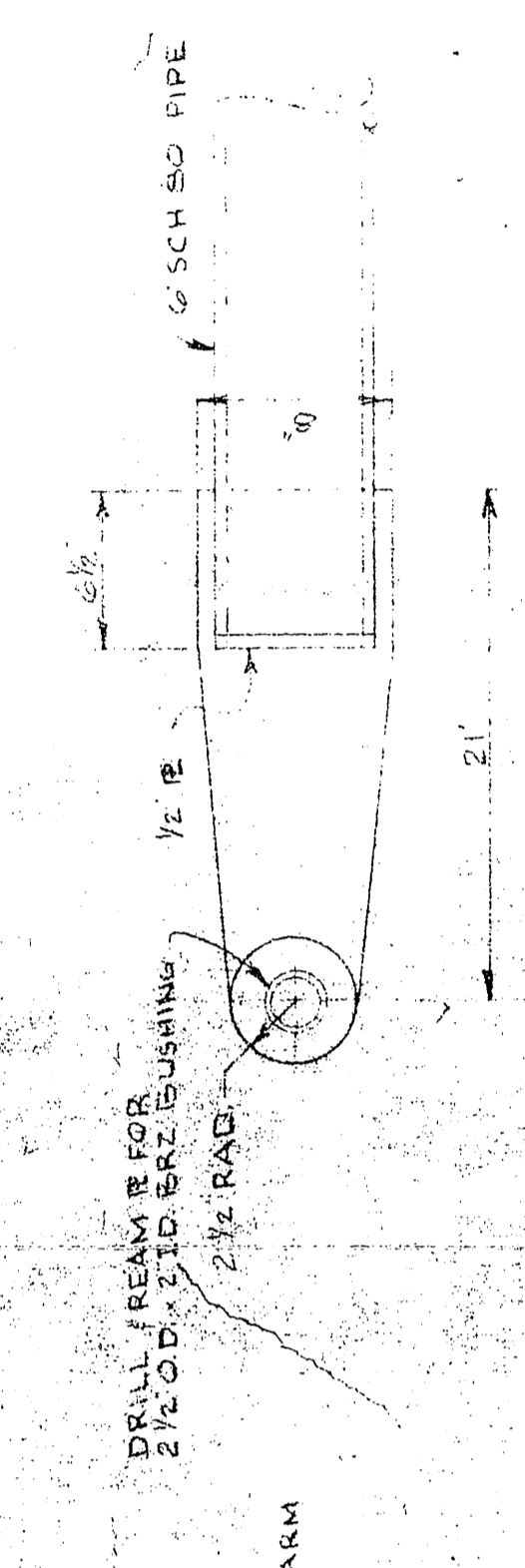
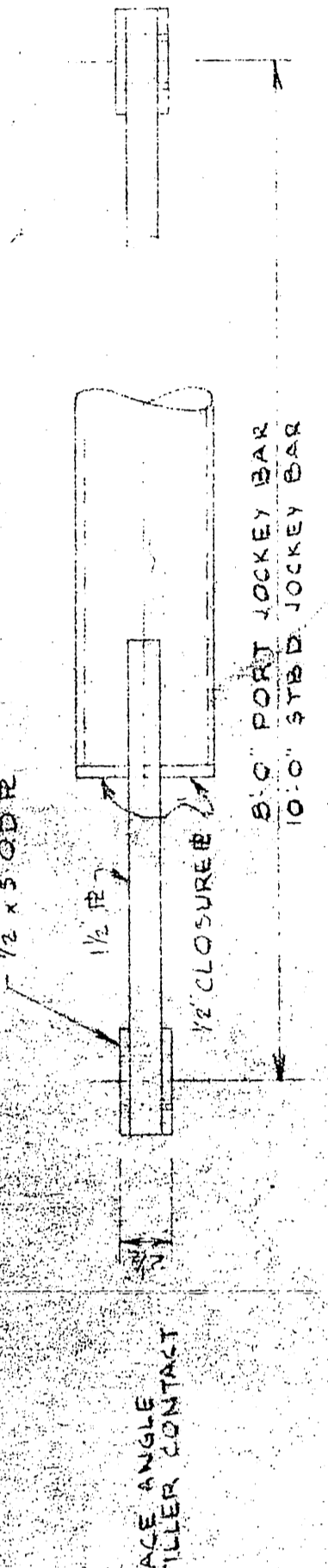
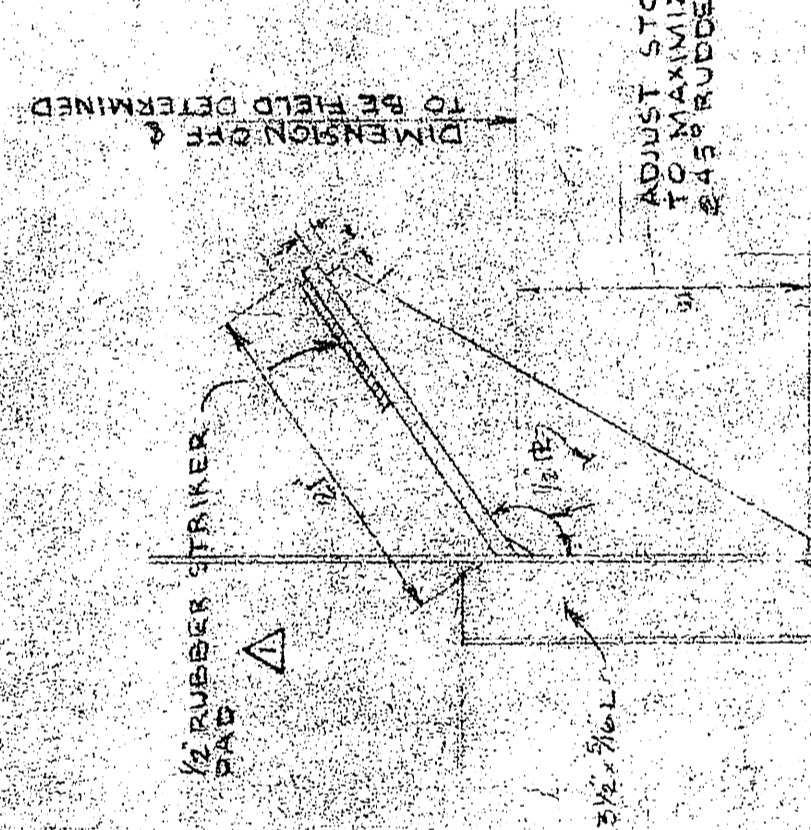
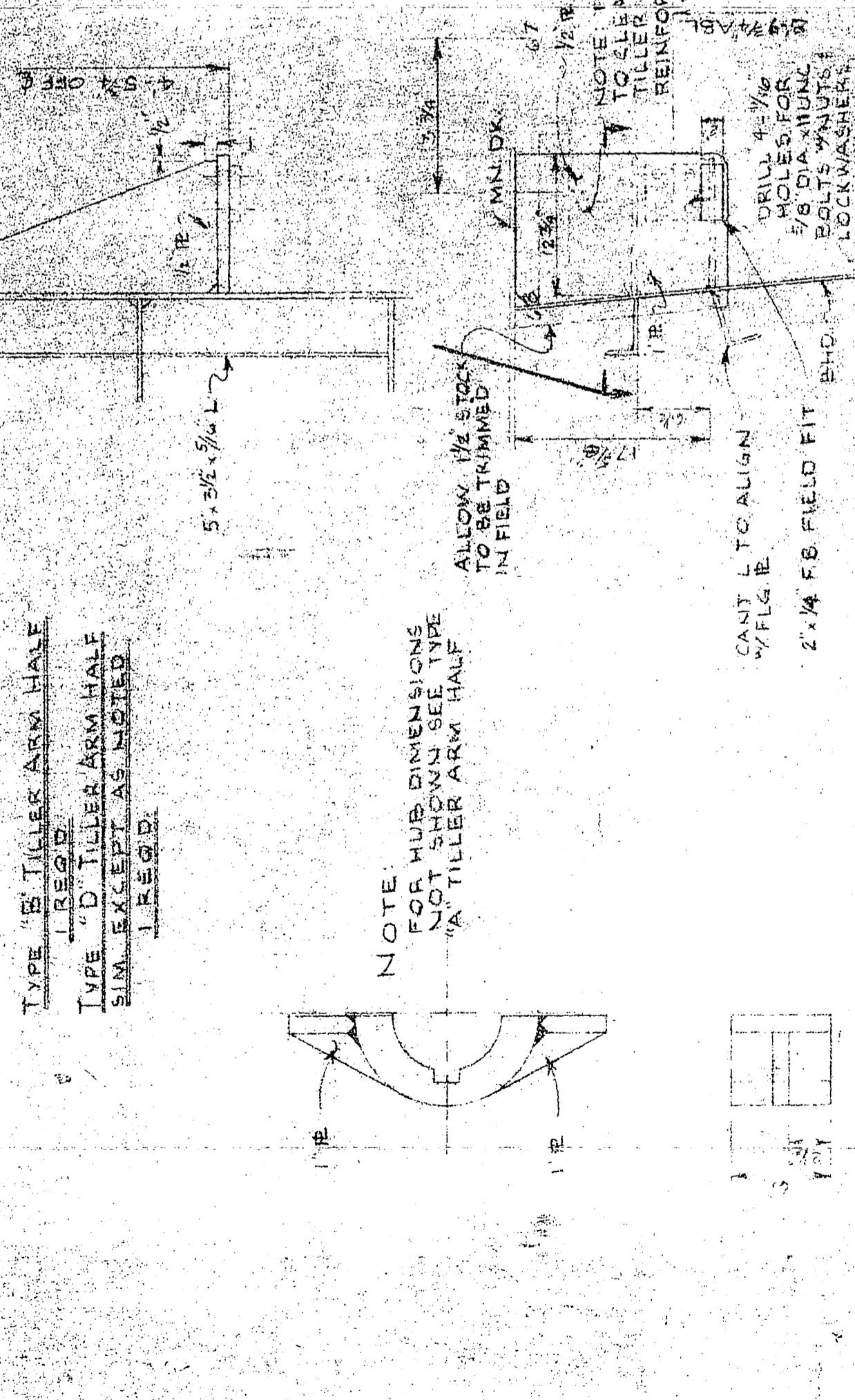
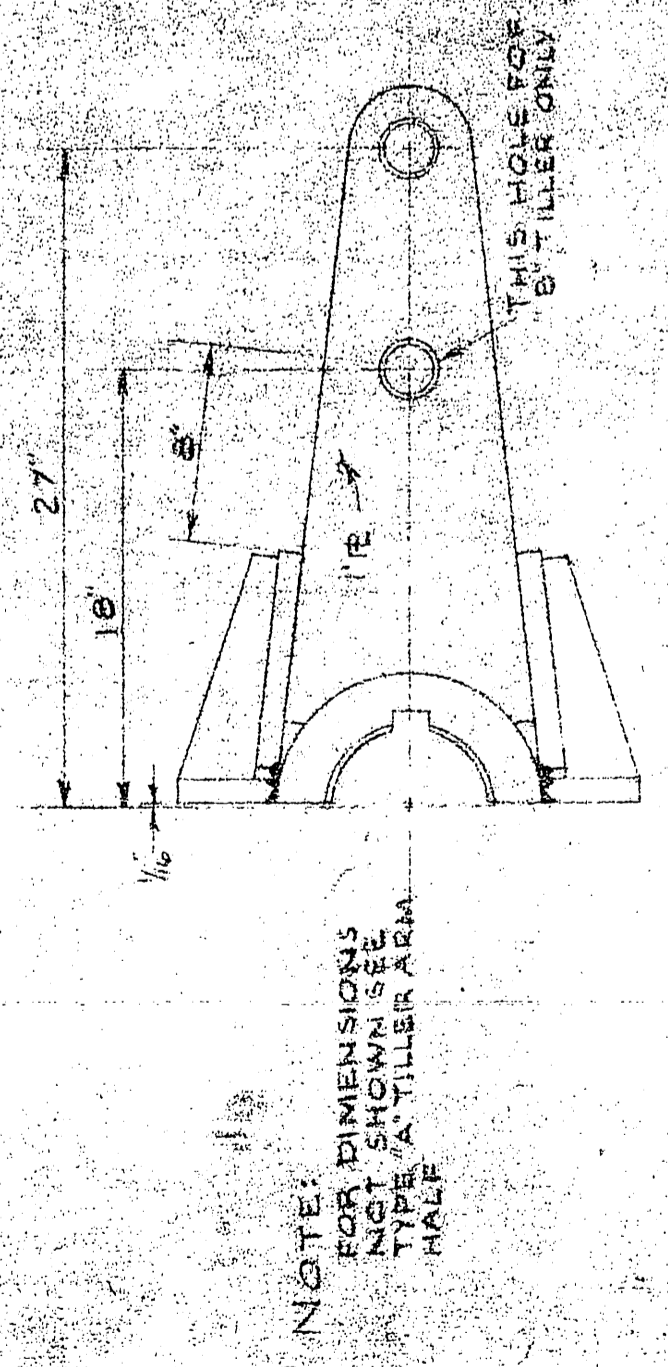
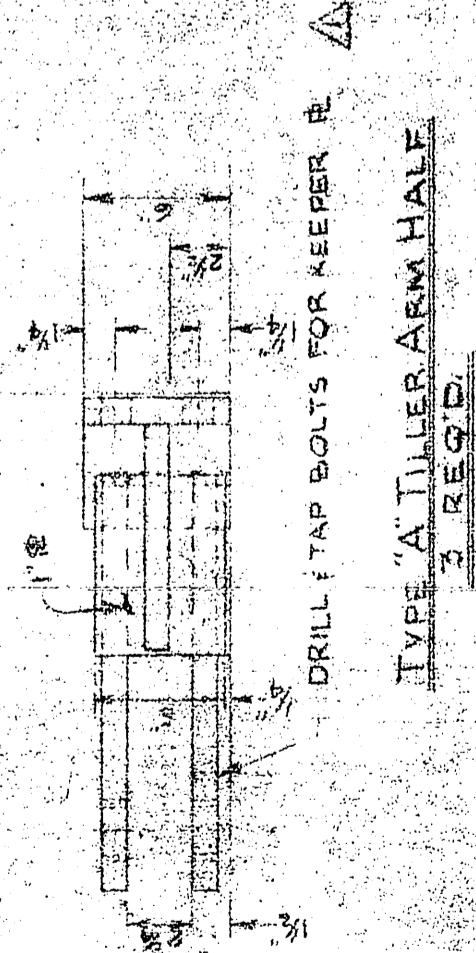
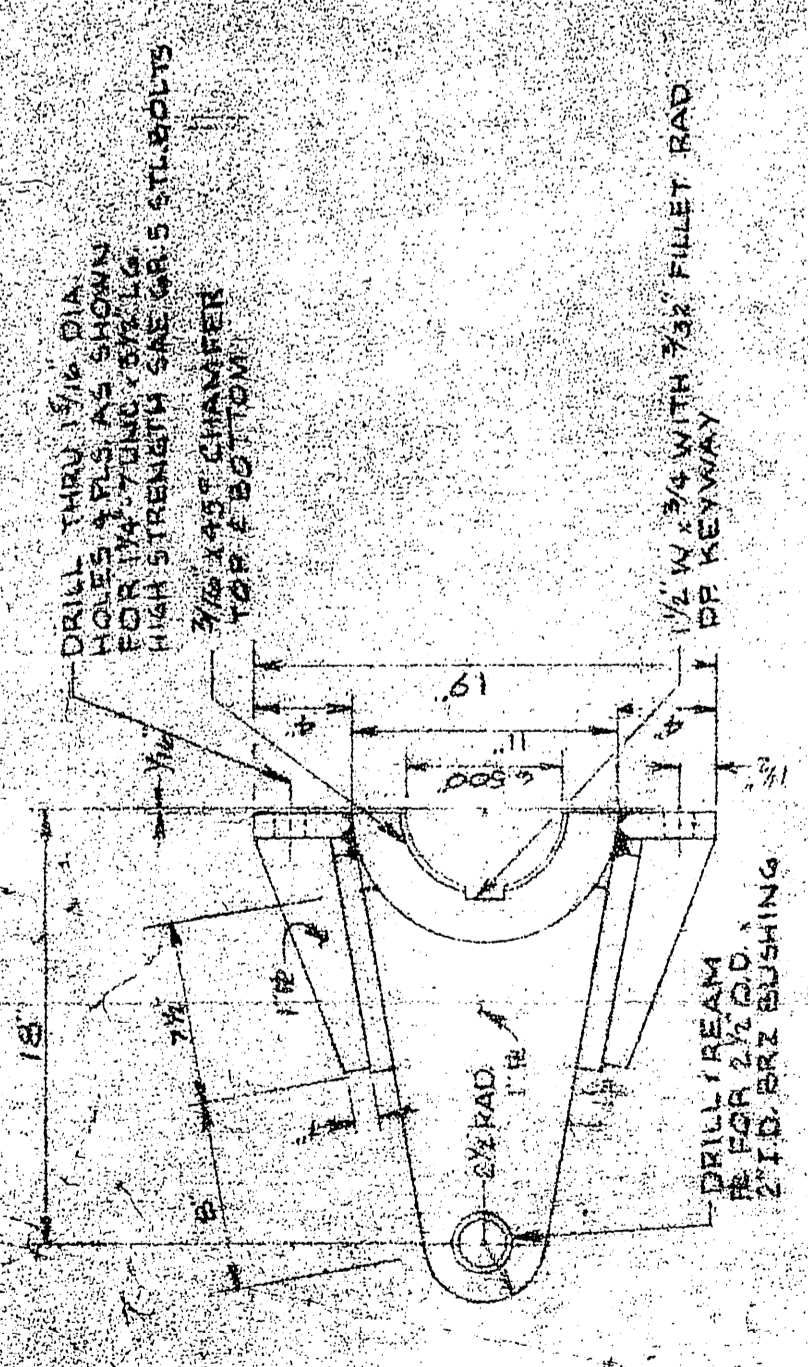
MISSISSIPPI MARINE ENGINEERING CONSULTANTS, INC.
DESIGN ASSOCIATES, INC.
 NAVAL ARCHITECTS
 NEW ORLEANS, LA. MARINE ENGINEERS

TIDE WATER MARINE SERVICE

14.5' x 36' x 10' SEISMIC VESSEL

RUBBER ARRANGEMENT
 DETAILS

Checked: [Signature]
 Date: [Date]
 Scaled: [Scale]
 Sheet 2 of 2 Drawing No. C-2002-11 Revision Mark



RUBBER STOP
 1/2" x 5" x 1/2" BRZ BUSHING

RUBBER STOP
 1/2" x 5" x 1/2" BRZ BUSHING